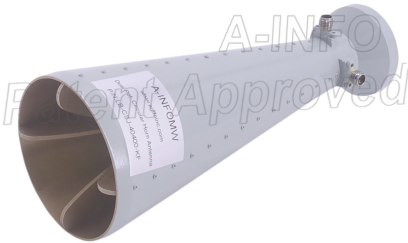


For reference only. See data sheet for the detailed specifications.

Technical Specification



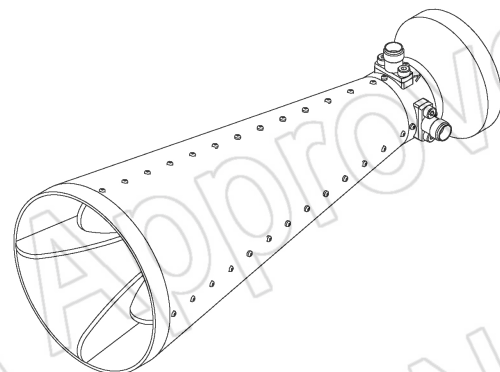
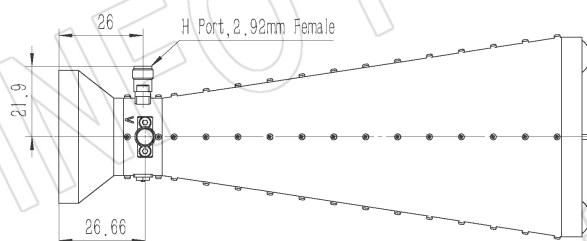
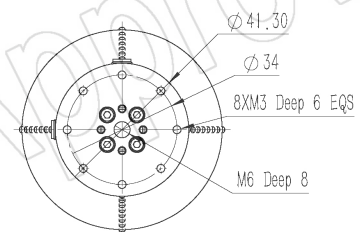
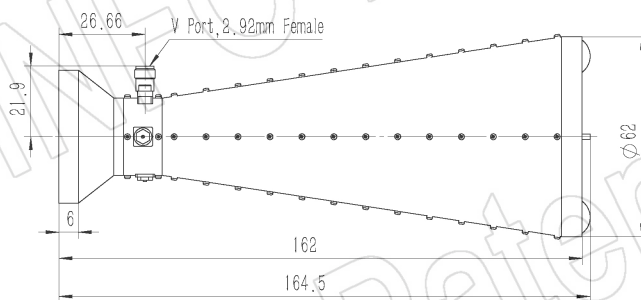
Frequency Range(GHz)	4.0 – 40.0	
Gain(dBi)	16 Typ.	
Polarization	Dual Linear	
3dB Beamwidth(deg)	E Plane:	83 - 16
	H Plane:	75 - 11
Cross Pol. Isolation(dB)	30 Typ. ; 20 Min.	
Port to Port Isolation(dB)	35 Typ. ; 30 Min.	
VSWR	2.0:1 Typ.	
	2.5:1 Max.	
Connector	2.92mm-Female or 2.4mm-Female	
Power Handling(W CW)	2.92mm-Female:	10 Max.
	2.4mm-Female:	10 Max.
Material	Al	
Finish	Chemical Conversion Coating, Gray Paint	
Size(mm)	62 x 62 x 164.5	
Net Weight(Kg)	0.19 Around	

PATENT ID (US)
US D972539
PATENT ID (China)
ZL202023113601.3, ZL202030087713.2

Outline Drawing (Size: mm)

2.92mm-Female Output (P/N: LB-CSJ-40400-KF)

For 2.4mm-Female output outline drawing, please contact A-INFO.


AINFO Inc.

 China(Beijing):
 China(Chengdu):
 USA :

 Tel: (+86) 10-6266-7326,
 Tel: (+86) 28-8519-2786,
 Tel: (+1) 949-639-9688,

 (+86) 10-6266-7327
 (+86) 28-8519-3044
 (+1) 949-639-9608

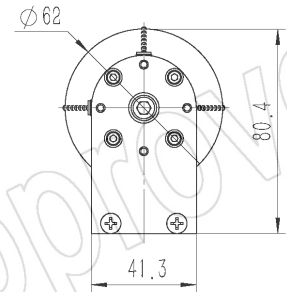
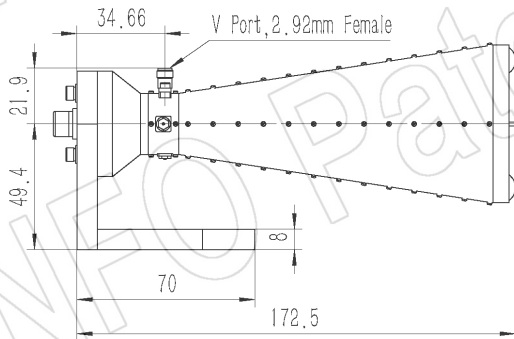
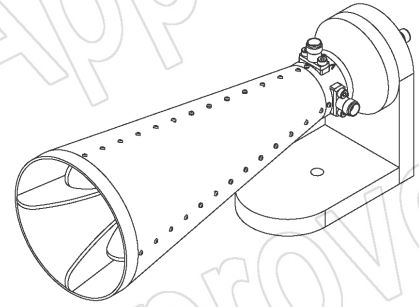
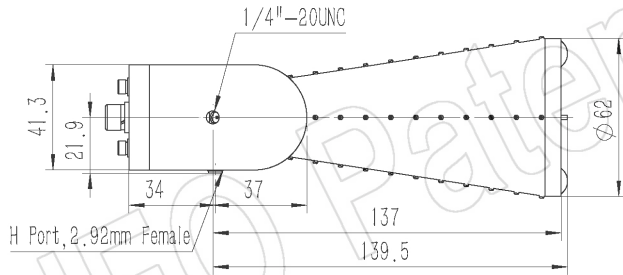
Page 1 of 19

 Fax: (+86) 10-6266-7379
 Fax: (+86) 28-8519-3068
 Fax: (+1) 949-639-9670

 Website: www.ainfoinc.com
 Email: sales@ainfoinc.com

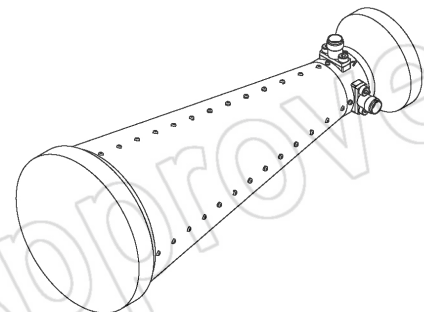
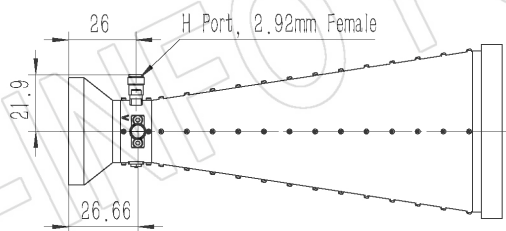
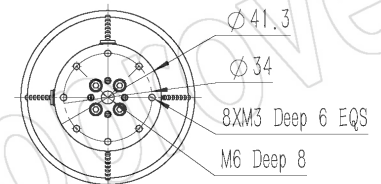
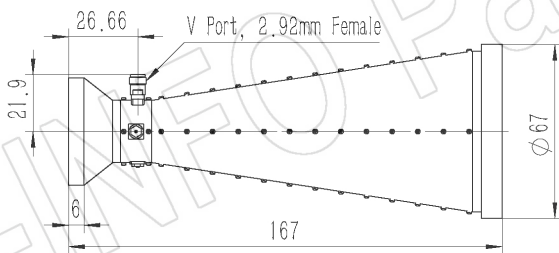
2.92mm-Female Output with L Type Mounting Bracket (Option, P/N: LB-20180-L)

For 2.4mm-Female output outline drawing, please contact A-INFO.



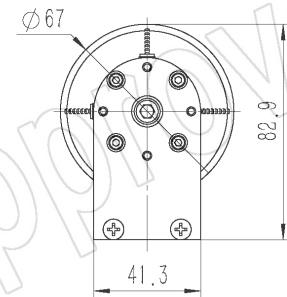
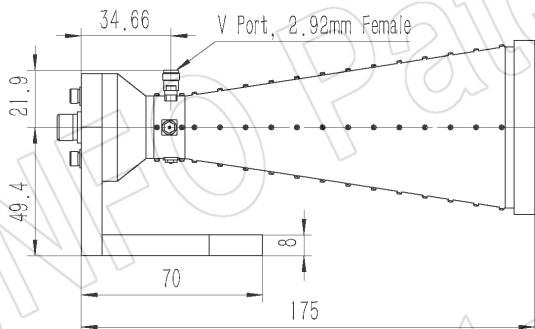
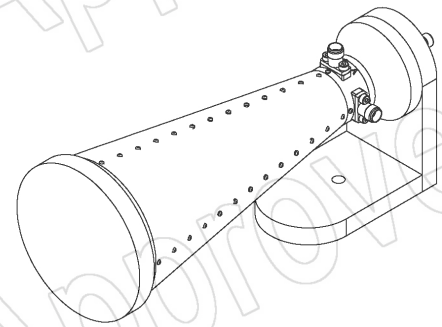
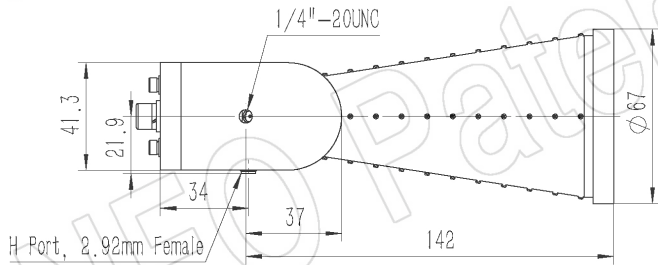
2.92mm-Female Output with Radome (Option, P/N: LB-CSJ-40400-KFSPO, Outdoor Application)

For 2.4mm-Female output outline drawing, please contact A-INFO.



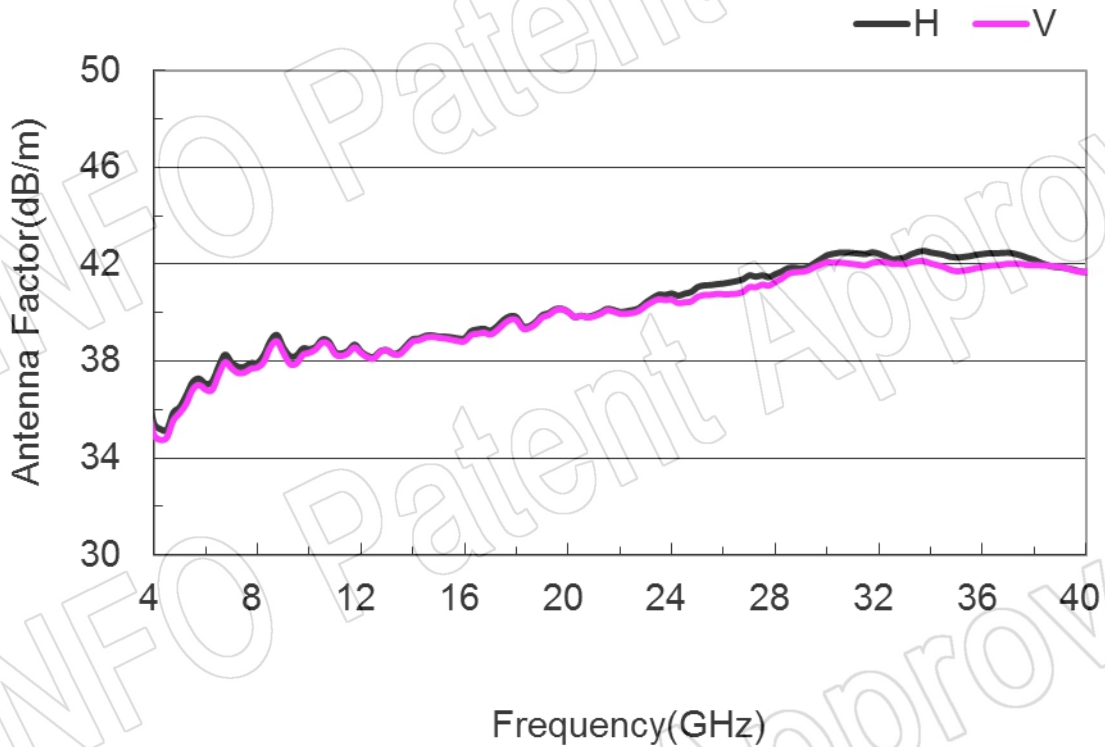
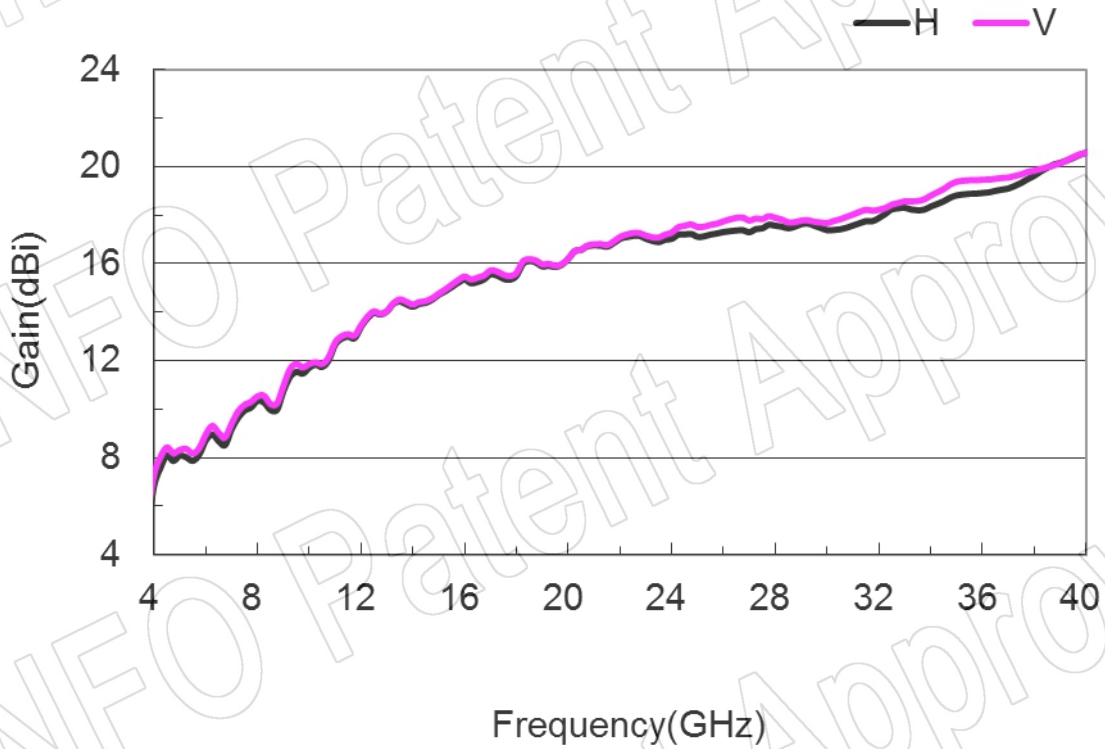
2.92mm-Female Output with L Type Mounting Bracket & Radome (Option, P/N: LB-20180-L & LB-CSJ-40400-KFSPO, Outdoor Application)

For 2.4mm-Female output outline drawing, please contact A-INFO.

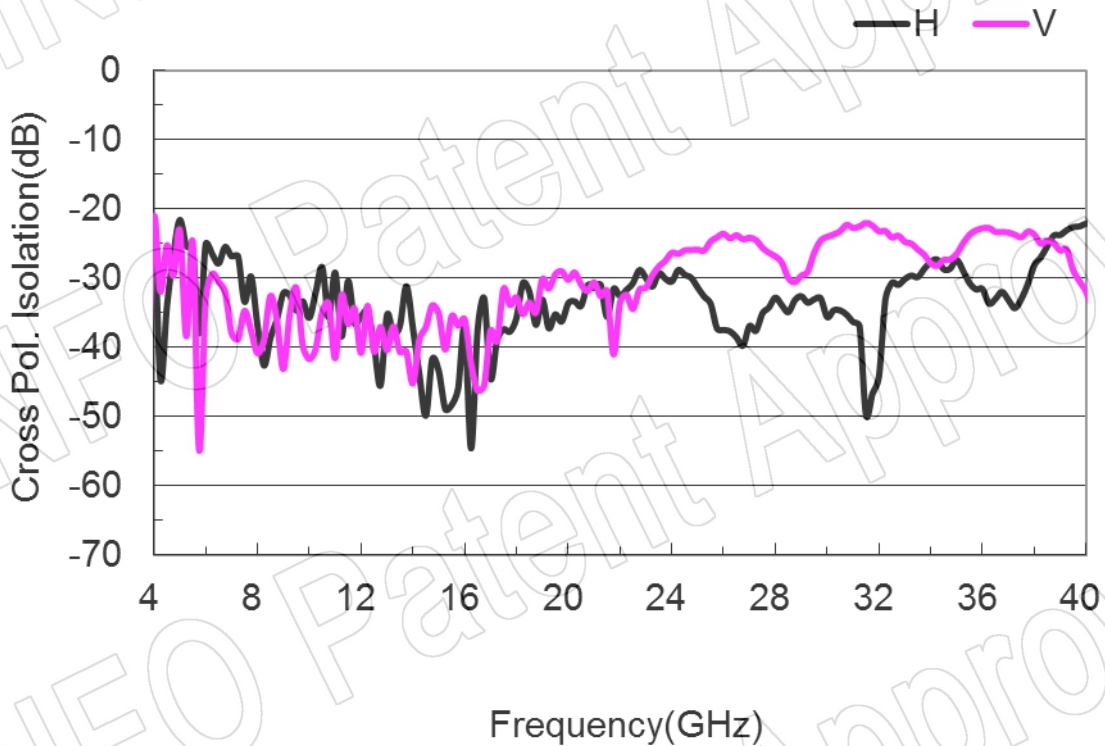


Test Results

1. Gain & Antenna Factor



2. Cross Polarization Isolation

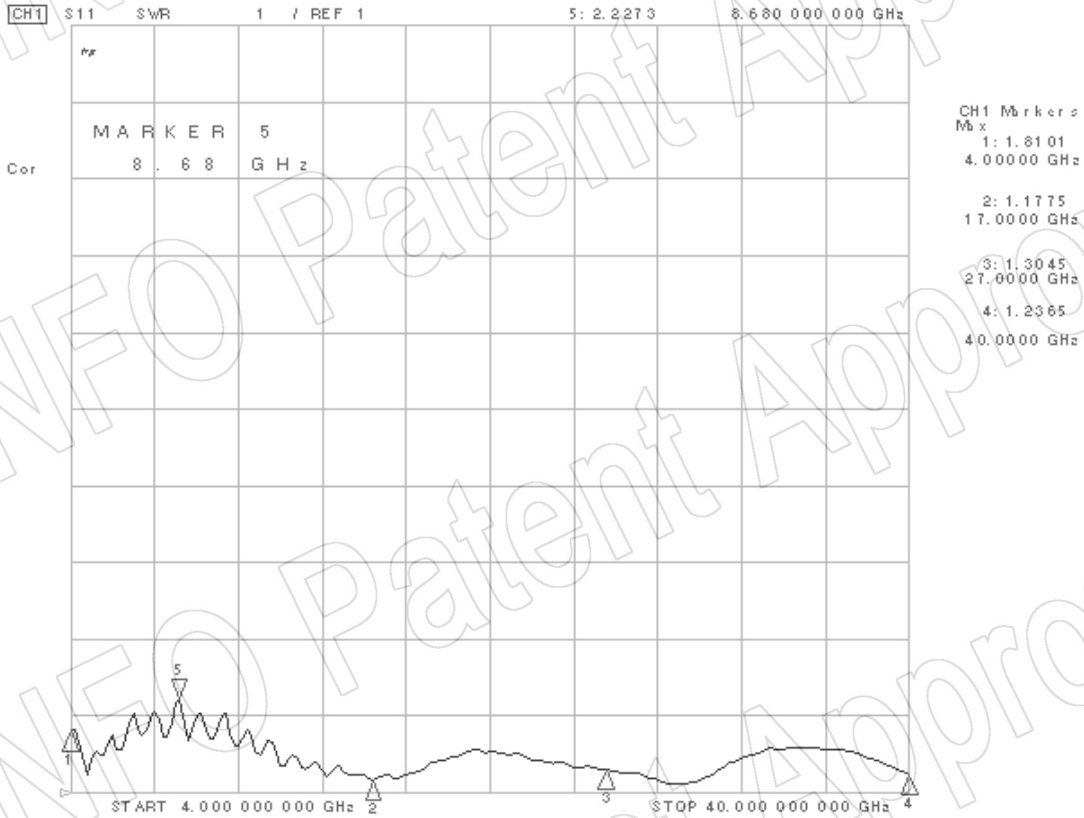


3. Port to Port Isolation

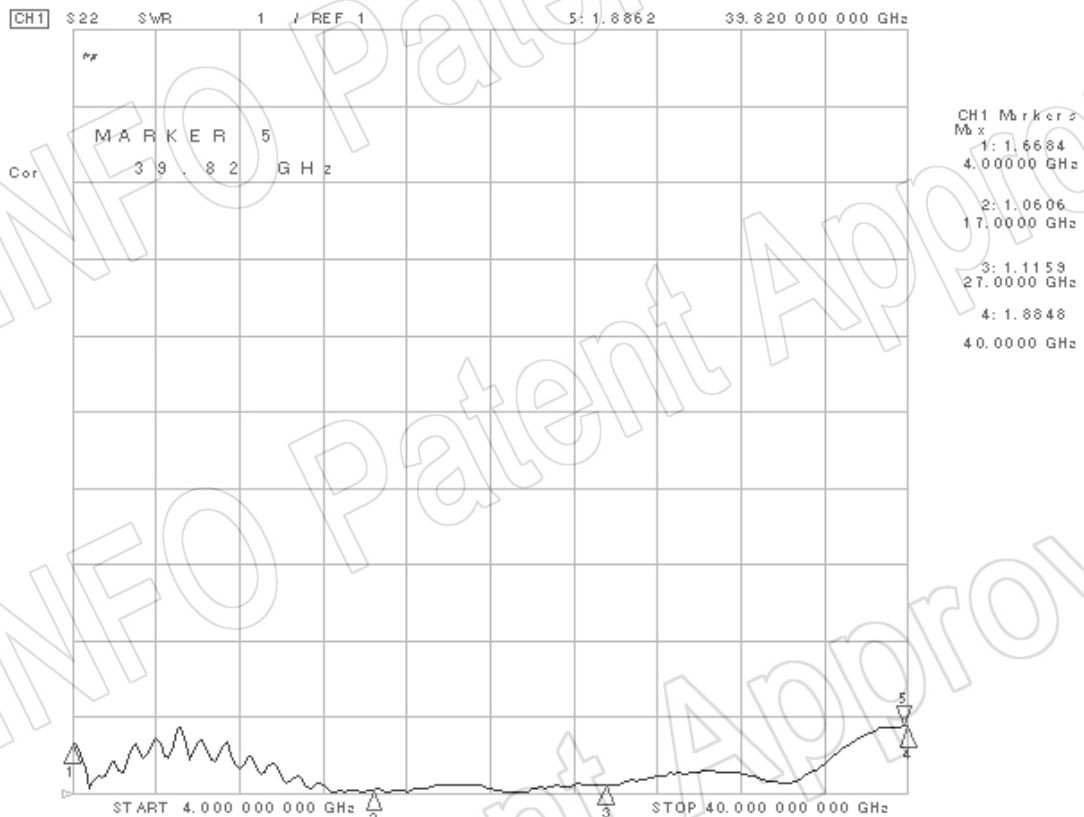


4. VSWR

Port-H



Port-V



5. Pattern

